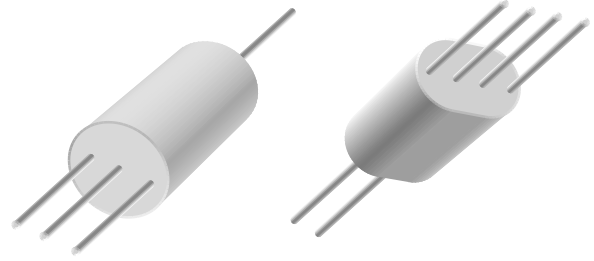
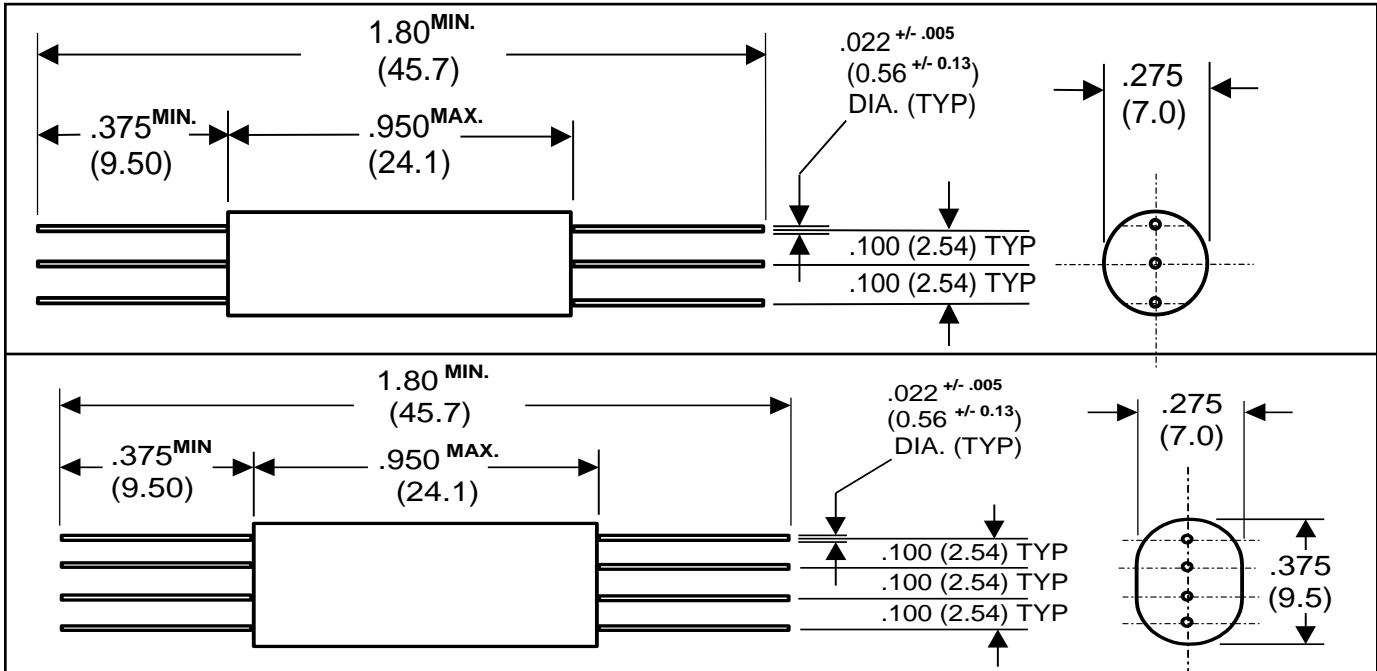


AXIAL LEAD SERIES

- Encapsulated axial lead dry reed relays.
- Axial leads allow various mounting configurations.
- Total environmental protection.
- Nickel plated metal tube provides Magnetic shielding.
- Formed leads with 1.000 x .100 grid pattern are available.
- A large variety of additional options are available.



OUTLINE DIMENSIONS



Notes:

1. Dimensions are in inches (mm)
2. Tolerance unless otherwise specified is $\pm .015$ " (0.38 mm)
3. Unused terminals are deleted.
4. To specify optional Electro-static shield, change last digit (O) of the part number to (B).
5. To specify formed leads with 1.000" center, change the first digit (O) for the part number to (U) for end coil, or (P) to (V) for side coil.

ELECTRICAL AND OPERATING CHARACTERISTICS

Characteristics	Form A/B	Form C
Contact Ratings:		
Power (Resistive load)	10 Watts	3 Watts
Voltage (Max. switching)	200 VDC	100 VDC
Current (Max. switching)	0.5 Amps	0.25 Amps
(Max. carrying)	2.0 Amps	1.2 Amps
Breakdown Voltage (Min.) (Across contact)	300 VDC	200 VDC
Contact Resistance (Max. Initial)	0.2 Ohms	0.2 Ohms
Operating Time (Typical)	0.5 mSec	0.5 mSec
Release Time (Typical)	0.2 / 0.5 mSec	0.5 mSec
Bounce Time (Typical)	0.25 mSec	NO / NC : 0.5 / 1.5 mSec
Insulation Resistance (Min.)	10^{10} Ohms	10^9 Ohms
Capacitance (Typical)	0.2 pF	0.8 pF
Life Expectancy:		
Low level:	100×10^6 Operations	50×10^6 Operations
Rated load:	10×10^6 Operations	5×10^6 Operations
Operating Temperature	-40°C to +85°C	-40°C to +85°C
Vibration	20G, 10 to 2000 Hz	20G, 10 to 2000 Hz
Shock	50G @ 11 MS durations	50G @ 11 MS durations

AXIAL LEAD SERIES

PART NUMBERS AND COIL DATA (@ 25°C)

Contact Form	Part Number (End coil)	Part Number (Side coil)	Nom. Voltage VDC	Max. Voltage VDC	Coil Res. Ohms +/-10%	Must Operate VDC	Must Release VDC	Schematic Top-view (End coil)	Schematic Top-view (Side coil)
1A	O051A1RO	P051A1RO	5	7.5	125	3.8	0.5		
	O051A2RO	P051A2RO			500				
	O051A3RO	P051A3RO			750				
	O061A1RO	P061A1RO	6	9	125	4.5	0.6		
	O061A2RO	P061A2RO			500				
	O061A3RO	P061A3RO			750				
	O121A1RO	P121A1RO	12	18	750	9.0	1.2		
	O121A2RO	P121A2RO			1000				
	O121A3RO	P121A3RO			2000				
	O241A2RO	P241A2RO	24	36	2000	18.0	2.4		
O241A3RO	P241A3RO	4000							
2A	O052A1RO	P052A1RO	5	7.5	100	3.8	0.5		
	O052A2RO	P052A2RO			300				
	O052A3RO	P052A3RO			500				
	O062A1RO	P062A1RO	6	9	100	4.5	0.6		
	O062A2RO	P062A2RO			300				
	O062A3RO	P062A3RO			500				
	O122A1RO	P122A1RO	12	18	300	9.0	1.2		
	O122A2RO	P122A2RO			750				
	O122A3RO	P122A3RO			1500				
	O242A2RO	P242A2RO	24	36	1500	18.0	2.4		
O242A3RO	P242A3RO	3000							
1C	O051C1RO	P051C1RO	5	7.5	125	3.8	0.5		
	O051C2RO	P051C2RO			500				
	O061C1RO	P061C1RO	6	9	125	4.5	0.6		
	O061C2RO	P061C2RO			500				
	O121C1RO	P121C1RO	12	18	750	9.0	1.2		
	O121C2RO	P121C2RO			1000				
	O121C3RO	P121C3RO			2000				
	O241C2RO	P241C2RO	24	36	2000	18.0	2.4		
O241C3RO	P241C3RO	4000							
2C	O052C1RO	P052C1RO	5	7.5	100	3.8	0.5		
	O052C2RO	P052C2RO			300				
	O062C1RO	P062C1RO	6	9	100	4.0	0.6		
	O062C2RO	P062C2RO			300				
	O122C1RO	P122C1RO	12	18	300	9.0	1.2		
	O122C2RO	P122C2RO			750				
	O122C3RO	P122C3RO			1500				
	O242C2RO	P242C2RO	24	36	1500	12.0	2.4		
O242C3RO	P242C3RO	3000							

AXIAL LEAD SERIES
PART NUMBERS AND COIL DATA (@ 25°C)

Contact Form	Part Number (End coil)	Part Number (Side coil)	Nom. Voltage VDC	Max. Voltage VDC	Coil Res. Ohms +/-10%	Must Operate VDC	Must Release VDC	Schematic Top-view (End coil)	Schematic Top-view (Side coil)
1B	O051B1RO	P051B1RO	5	7.5	125	3.8	0.5		
	O051B2RO	P051B2RO			500				
	O051B3RO	P051B3RO			750				
	O061B1RO	P061B1RO	6	9	125	4.5	0.6		
	O061B2RO	P061B2RO			500				
	O061B3RO	P061B3RO			750				
	O121B1RO	P121B1RO	12	18	750	9.0	1.2		
	O121B2RO	P121B2RO			1000				
	O121B3RO	P121B3RO			2000				
	O241B2RO	P241B2RO	24	36	2000	18.0	2.4		
	O241B3RO	P241B3RO			4000				
1A LATCH SINGLE COIL (1J)	O051J1RO	P051J1RO	5	7.5	125	3.8	0.5		
	O051J2RO	P051J2RO			500				
	O051J3RO	P051J3RO			750				
	O061J1RO	P061J1RO	6	9	125	4.5	0.6		
	O061J2RO	P061J2RO			500				
	O061J3RO	P061J3RO			750				
	O121J1RO	P121J1RO	12	18	750	9.0	1.2		
	O121J2RO	P121J2RO			1000				
	O121J3RO	P121J3RO			2000				
	O241J2RO	P241J2RO	24	36	2000	18.0	2.4		
	O241J3RO	P241J3RO			4000				
1A LATCH DUAL COIL (1K)	O051K1RO	P051K1RO	5	7.5	75	3.8	0.5		
	O051K2RO	P051K2RO			250				
	O051K3RO	P051K3RO			375				
	O061K1RO	P061K1RO	6	9	75	4.5	0.6		
	O061K2RO	P061K2RO			250				
	O061K3RO	P061K3RO			375				
	O121K1RO	P121K1RO	12	18	375	9.0	1.2		
	O121K2RO	P121K2RO			500				
	O121K3RO	P121K3RO			1000				
	O241K2RO	P241K2RO	24	36	1000	18.0	2.4		
	O241K3RO	P241K3RO			2000				

NOTE:

1. On latching relays, either coil will close the contact(s) with the polarity shown on the schematic. Reversing the polarity opens the contact(s).
2. Electrostatic shield is optional (Shield pin is E on schematic).