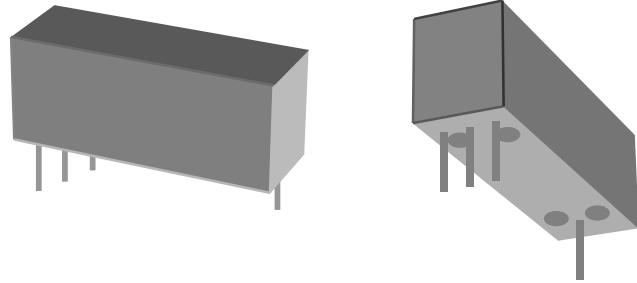


ENCAPSULATED SERIES

1.000 x .100
1.000 x .150

- Encapsulated dry reed relays.
- Total environmental protection.
- A wide range of contact forms, coil resistances, coil voltages



OUTLINE DIMENSIONS

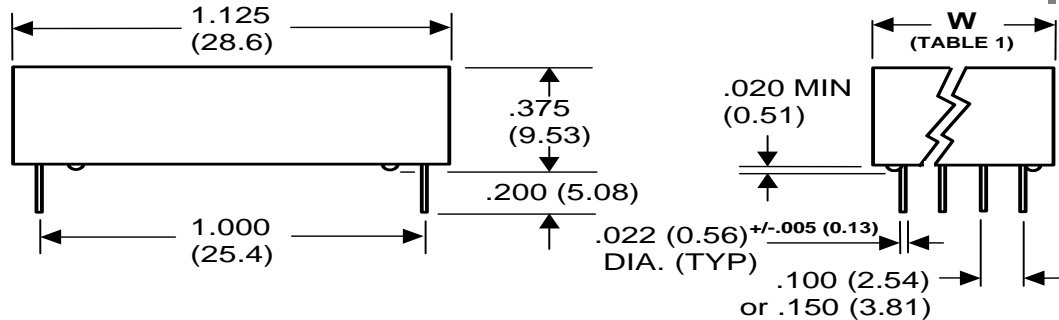


TABLE 1

W	CONTACT FORM					
	1A or 1C	2A, 1B, 2C, 1J, 1K	3A, 2B, 2F, 2J, 2K	4A, 3C	4H	5A, 6A, 4C
	.375 (9.530)	.475 (12.07)	.575 (14.61)	.700 (17.78)	.775 (19.69)	.875 (22.23)

Notes:

1. Dimensions are in inches (mm)
2. Tolerance unless otherwise specified is +/- .015" (0.38 mm).
3. Height of Form B, 1A-1B, 2A-2B, and latching relays are .400 (10.16) max. .350 (8.89) height is available for most models.
4. Length of 4 Form A and 3 Form C are 1.155 (29.3)
5. Consult factory for the width of .150" pin spacing series.
6. Unused terminals are deleted.

ELECTRICAL AND OPERATING CHARACTERISTICS

Characteristics	Form A/B	Form C
Contact Ratings: Power (Resistive load) Voltage (Max. switching) Current (Max. switching) (Max. carrying)	10 Watts 200 VDC 0.5 Amps 2.0 Amps	3 Watts 100 VDC 0.25 Amps 1.2 Amps
Breakdown Voltage (Min.) (Across contact)	300 VDC	200 VDC
Contact Resistance (Max. Initial)	0.2 Ohms	0.2 Ohms
Operating Time (Typical)	0.5 mSec	0.5 mSec
Release Time (Typical)	0.2 / 0.5 mSec	0.5 mSec
Bounce Time (Typical)	0.25 mSec	NO / NC: 0.5 / 1.5 mSec
Insulation Resistance (Min.)	10 ¹⁰ Ohms	10 ⁹ Ohms
Capacitance (Typical)	0.2 pF	0.8 pF
Life Expectancy: Low level: Rated load:	100 x 10 ⁶ Operations 10 x 10 ⁶ Operations	50 x 10 ⁶ Operations 5 x 10 ⁶ Operations
Operating Temperature	-40°C to +85°C	-40°C to +85°C
Vibration	20G, 10 to 2000 Hz	20G, 10 to 2000 Hz
Shock	50G @ 11 MS durations	50G @ 11 MS durations

OPTIONAL FEATURES:

1. Change the last digit (O) of a part number to (A) for **Magnetic Shield**, to (B) for **Electro-static shield**, and to (C) for **both Magnetic and Electro-static shields**.
2. For .150" pin spacing, change the first digit (I) to (L) for end coil, and (J) to (M) for side coil.

American Relays, Inc. (562) 926-2837, Fax (562) 926-2703, E-mail: Sales@americanrelays.com

ENCAPSULATED SERIES REED RELAYS

PART NUMBERS AND COIL DATA (@ 25°C)

Contact Form	Part Number (End coil)	Part Number (Side coil)	Nom. Voltage VDC	Max. Voltage VDC	Coil Res. Ohms +/-10%	Must Operate VDC	Must Release VDC	Schematic Top-view (End coil)	Schematic Top-view (Side coil)
1A	I051A1RO	J051A1RO	5	7.5	125	3.8	0.5		
	I051A2RO	J051A2RO			500				
	I051A3RO	J051A3RO			750				
	I061A1RO	J061A1RO	6	9	125	4.5	0.6		
	I061A2RO	J061A2RO			500				
	I061A3RO	J061A3RO			750				
	I121A1RO	J121A1RO	12	18	750	9.0	1.2		
	I121A2RO	J121A2RO			1000				
	I121A3RO	J121A3RO			2000				
	I241A2RO	J241A2RO	24	36	2000	18.0	2.4		
I241A3RO	J241A3RO	4000							
2A	I052A1RO	J052A1RO	5	7.5	100	3.8	0.5		
	I052A2RO	J052A2RO			300				
	I052A4RO	J052A4RO			500				
	I062A1RO	J062A1RO	6	9	100	4.5	0.6		
	I062A2RO	J062A2RO			300				
	I062A4RO	J062A4RO			500				
	I122A1RO	J122A1RO	12	18	300	9.0	1.2		
	I122A2RO	J122A2RO			750				
	I122A3RO	J122A3RO			1500				
	I242A2RO	J242A2RO	24	36	1500	18.0	2.4		
I242A3RO	J242A3RO	3000							
3A	I053A1RO	J053A1RO	5	7.5	75	3.8	0.5		
	I053A2RO	J053A2RO			250				
	I053A4RO	J053A4RO			350				
	I063A1RO	J063A1RO	6	9	75	4.5	0.6		
	I063A2RO	J063A2RO			250				
	I063A3RO	J063A3RO			500				
	I123A1RO	J123A1RO	12	18	250	9.0	1.2		
	I123A2RO	J123A2RO			500				
	I123A3RO	J123A3RO			1000				
	I243A2RO	J243A2RO	24	36	1000	18.0	2.4		
I243A3RO	J243A3RO	2000							
4A	I054A1RO	J054A1RO	5	7.5	60	3.8	0.5		
	I054A2RO	J054A2RO			150				
	I064A1RO	J064A1RO	6	9	60	4.0	0.6		
	I064A2RO	J064A2RO			150				
	I124A1RO	J124A1RO	12	18	200	9.0	1.2		
	I124A2RO	J124A2RO			375				
	I244A2RO	J244A2RO	24	36	1000	18.0	2.4		

ENCAPSULATED SERIES REED RELAYS
PART NUMBERS AND COIL DATA (@ 25°C)

Contact Form	Part Number (End coil)	Part Number (Side coil)	Nom. Voltage VDC	Max. Voltage VDC	Coil Res. Ohms +/-10%	Must Operate VDC	Must Release VDC	Schematic Top-view (End coil)	Schematic Top-view (Side coil)
5A	I055A1RO	J055A1RO	5	7.5	35	3.8	0.5		
	I055A2RO	J055A2RO			100				
	I065A1RO	J065A1RO	6	9	35	4.5	0.6		
	I065A2RO	J065A2RO			100				
	I125A1RO	J125A1RO	12	18	135	9.0	1.2		
	I125A2RO	J125A2RO			300				
	I245A2RO	J245A2RO	24	36	550	18.0	2.4		
6A	I056A1RO	J056A1RO	5	7.5	35	3.8	0.5		
	I056A2RO	J056A2RO			100				
	I066A1RO	J066A1RO	6	9	35	4.5	0.6		
	I066A2RO	J066A2RO			100				
	I126A1RO	J126A1RO	12	18	135	9.0	1.2		
	I126A2RO	J126A2RO			300				
	I246A2RO	J246A2RO	24	36	550	18.0	2.4		
1C	I051C1RO	J051C1RO	5	7.5	125	3.8	0.5		
	I051C2RO	J051C2RO			500				
	I061C1RO	J061C1RO	6	9	125	4.5	0.6		
	I061C2RO	J061C2RO			500				
	I061C3RO	J061C3RO			750				
	I121C1RO	J121C1RO	12	18	250	9.0	1.2		
	I121C2RO	J121C2RO			500				
	I121C3RO	J121C3RO			1000				
	I241C2RO	J241C2RO	24	36	1000	18.0	2.4		
I241C3RO	J241C3RO	2000							
2C	I052C1RO	J052C1RO	5	7.5	100	3.8	0.5		
	I052C2RO	J052C2RO			300				
	I062C1RO	J062C1RO	6	9	100	4.5	0.6		
	I062C2RO	J062C2RO			300				
	I122C1RO	J122C1RO	12	18	300	9.0	1.2		
	I122C2RO	J122C2RO			750				
	I122C3RO	J122C3RO			1500				
	I242C2RO	J242C2RO	24	36	1500	18.0	2.4		
I242C3RO	J242C3RO	3000							

ENCAPSULATED SERIES REED RELAYS

PART NUMBERS AND COIL DATA (@ 25°C)

Contact Form	Part Number (End coil)	Part Number (Side coil)	Nom. Voltage VDC	Max. Voltage VDC	Coil Res. Ohms +/-10%	Must Operate VDC	Must Release VDC	Schematic Top-view (End coil)	Schematic Top-view (Side coil)
3C	I053C1RO	J053C1RO	5	7.5	45	3.8	0.5		
	I053C2RO	J053C2RO			125				
	I063C1RO	J063C1RO	6	9	45	4.5	0.6		
	I063C2RO	J063C2RO			125				
	I123C1RO	J123C1RO	12	18	175	9.0	1.2		
	I123C2RO	J123C2RO			400				
	I243C1RO	J243C1RO	24	36	700	18.0	2.4		
	I243C2RO	J243C2RO			1000				
4C	I054C1RO	J054C1RO	5	7.5	30	3.8	0.5		
	I054C2RO	J054C2RO			50				
	I064C1RO	J064C1RO	6	9	30	4.5	0.6		
	I064C2RO	J064C2RO			50				
	I124C1RO	J124C1RO	12	18	125	9.0	1.2		
	I124C2RO	J124C2RO			300				
	I244C1RO	J244C1RO	24	36	500	18.0	2.4		
	I244C2RO	J244C2RO			800				
1B	I051B1RO	J051B1RO	5	7.5	125	3.8	0.5		
	I051B2RO	J051B2RO			500				
	I061B1RO	J061B1RO	6	9	125	4.5	0.6		
	I061B2RO	J061B2RO			500				
	I121B1RO	J121B1RO	12	18	750	9.0	1.2		
	I121B2RO	J121B2RO			1000				
	I121B3RO	J121B3RO	2000						
I241B2RO	J241B2RO	24	36	2000	18.0	2.4			
2B	I052B1RO	J052B1RO	5	7.5	100	3.8	0.5		
	I052B2RO	J052B2RO			300				
	I062B1RO	J062B1RO	6	9	100	4.5	0.6		
	I062B2RO	J062B2RO			300				
	I122B1RO	J122B1RO	12	18	300	9.0	1.2		
	I122B2RO	J122B2RO			750				
I242B2RO	J242B2RO	24	36	1500	18.0	2.4			
1A1B (2F)	I052F2RO	J052F2RO	5	7.5	250	3.8	0.5		
	I062F2RO	J062F2RO			250				
	I122F2RO	J122F2RO	12	18	500	9.0	1.2		
	I242F2RO	J242F2RO	24	36	1000	18.0	2.4		
	I242F3RO	J242F3RO			2000				
2A2B (4H)	I054H1RO	J054H1RO	5	7.5	60	3.8	0.5		
	I064H1RO	J064H1RO	6	9	60	4.5	0.6		
	I124H2RO	J124H2RO	12	18	300	9.0	1.2		
	I244H2RO	J244H2RO	24	36	600	18.0	2.4		

ENCAPSULATED SERIES REED RELAYS

PART NUMBERS AND COIL DATA (@ 25°C)

Contact Form	Part Number (End coil)	Part Number (Side coil)	Nom. Voltage VDC	Max. Voltage VDC	Coil Res. Ohms +/-10%	Must Operate VDC	Must Release VDC	Schematic Top-view (End coil)	Schematic Top-view (Side coil)
1A LATCH SINGLE COIL (1J)	I051J1RO	J051J1RO	5	7.5	125	3.8	0.5		
	I051J2RO	J051J2RO			500				
	I051J3RO	J051J3RO			750				
	I061J1RO	J061J1RO	6	9	125	4.5	0.6		
	I061J2RO	J061J2RO			500				
	I061J3RO	J061J3RO			750				
	I121J1RO	J121J1RO	12	18	750	9.0	1.2		
	I121J2RO	J121J2RO			1000				
	I121J3RO	J121J3RO			2000				
	I241J2RO	J241J2RO	24	36	2000	18.0	2.4		
I241J3RO	J241J3RO	4000							
1A LATCH DUAL COIL (1K)	I051K1RO	J051K1RO	5	7.5	75	3.8	0.5		
	I051K2RO	J051K2RO			250				
	I051K3RO	J051K3RO			375				
	I061K1RO	J061K1RO	6	9	75	4.5	0.6		
	I061K2RO	J061K2RO			250				
	I061K3RO	J061K3RO			375				
	I121K1RO	J121K1RO	12	18	375	9.0	1.2		
	I121K2RO	J121K2RO			500				
	I121K3RO	J121K3RO			1000				
	I241K2RO	J241K2RO	24	36	1000	18.0	2.4		
I241K3RO	J241K3RO	2000							
2A LATCH SINGLE COIL (2J)	I052J2RO	J052J2RO	5		300	3.8	0.5		
	I062J2RO	J062J2RO	6		300	4.5	0.6		
	I122J2RO	J122J2RO	12		750	9.0	1.2		
	I242J2RO	J242J2RO	24		1500	18.0	2.4		
2A LATCH DUAL COIL (2K)	I052K2RO	J052K2RO	5		150	3.8	0.5		
	I062K2RO	J062K2RO	6		150	4.5	0.6		
	I122K2RO	J122K2RO	12		375	9.0	1.2		
	I242K2RO	J242K2RO	24		750	18.0	2.4		

NOTES:

1. On latching relays, either coil will close the contact(s) with the polarity shown on the schematic. Reversing the polarity opens the contact(s).
2. Encapsulated reed relays with contact forms, coil resistances and operating voltages other than shown in this catalog are available.
3. Electrostatic shield is optional (Shield pin is E on schematic).