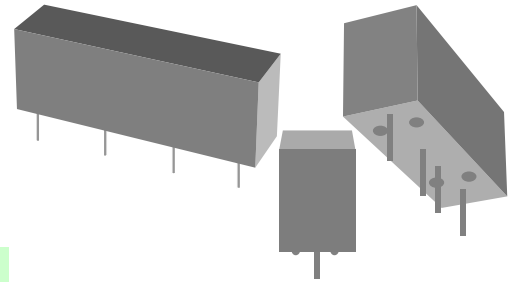


HIGH VOLTAGE S.I.P REED RELAYS

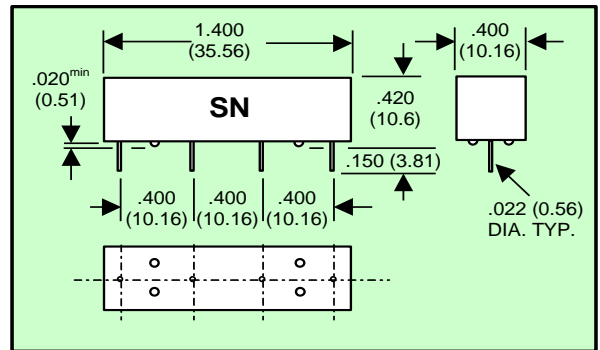
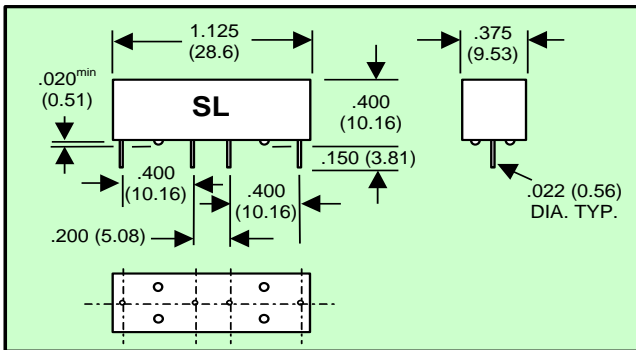
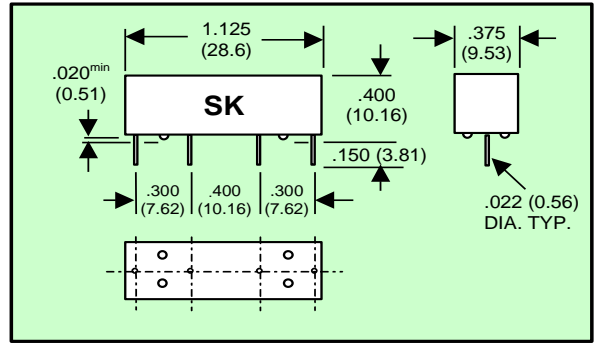
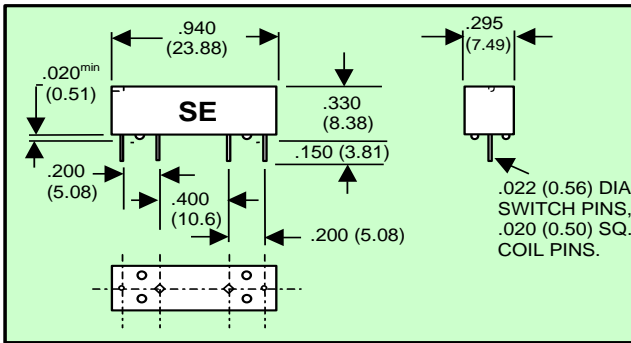


- Miniature high voltage reed relays.
- Epoxy molded Single-in-line package.
- Meet FCC part 68 contact to contact breakdown requirement.

.2x.4x.2
 .3x.4x.3
 .4x.2x.4
 .4x.4x.4

SIP

OUTLINE DIMENSIONS



Notes:

1. Dimensions are in inches (mm).
2. Tolerance unless otherwise specified is +/- .015" (0.38 mm).





GENERAL SPECIFICATIONS

Characteristics	
Contact Resistance (Max. Initial)	0.2 Ohms
Operating Time (Typical)	0.5 mSec
Release Time (Typical)	0.5 mSec
Bounce Time (Typical)	0.25 mSec
Insulation Resistance (Min.)	10 ¹⁰ Ohms
Life Expectancy:	
Low level:	100 x 10 ⁶ Operations
Rated load:	1 x 10 ⁶ Operations
Operating Temperature	-40°C to +85°C
Vibration	20G, 10 to 2000 Hz
Shock	50G @ 11 MS durations

“SE”, “SK”, “SL”, “SN” SERIES SINGLE-IN-LINE HIGH VOLTAGE REED RELAYS

		Contact Ratings			
		SE (.2 x .4 x .2)	SK (.3 x .4 x .3)	SL (.4 x .2 x .4)	SN (.4 x .4 x .4)
Power (Resistive load)		25 Watts	25 Watts	25 Watts	25 Watts
Voltage (Max. switching)		1000 VDC	1000 VDC	1000 VDC	1000 VDC
Current (Max. switching)		1.0 Amps	1.0 Amps	1.0 Amps	1.0 Amps
Breakdown Voltage (Min.)	(Across contact)	1500 VDC (5V Coil) 2500 VDC (6V, 12V, 24V Coil)	2500 VDC	2500 VDC	2500 VDC
	(Contacts to coil)	2000 VAC	3000 VAC	4000 VAC	4000 VAC

PART NUMBERS AND COIL DATA (@ 25°C)

Part Number		Nom. Voltage VDC	Max. Voltage VDC	Coil Res. Ohms +/-10%	Must Operate VDC	Must Release VDC	Schematic Top View
.2 x .4 x .2							
SE	SE051A20	5	7.5	300	3.8	0.5	
	SE061A20	5/6	9	125	3.8	0.6	
	SE121A20	12	18	500	9.0	1.2	
	SE241A20	24	36	2000	18.0	2.4	
.3 x .4 x .3							
SK	SK051A20	5	7.5	500	3.8	0.5	
	SK061A20	5/6	9	125	3.8	0.6	
	SK121A20	12	18	1000	9.0	1.2	
	SK241A20	24	36	2000	18.0	2.4	
.4 x .2 x .4							
SL	SL051A20	5	7.5	500	3.8	0.5	
	SL061A20	5/6	9	125	3.8	0.6	
	SL121A20	12	18	1000	9.0	1.2	
	SL241A20	24	36	2000	18.0	2.4	
.4 x .4 x .4							
SN	SN051A20	5	7.5	500	3.8	0.5	
	SN061A20	5/6	9	125	3.8	0.6	
	SN121A20	12	18	1000	9.0	1.2	
	SN241A20	24	36	2000	18.0	2.4	